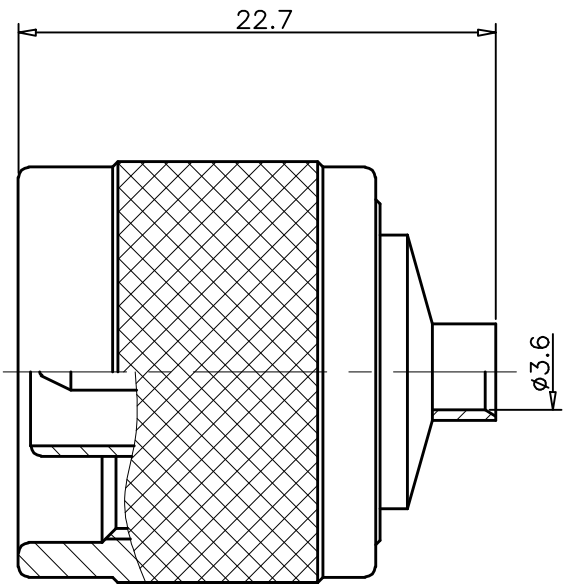


| 1 | 2 | 3 | 4 | |
|-------|---------------|---------|-----------|---------|
| RevNo | Revision note | Date | Signature | Checked |
| 00 | Sketch Only | 5/28/14 | Teresa | Simon |



Interface Per: MIL-C-39012, IEC 60169-16

Material & Finishing:

1. Center conductor: Brass, Gold Plating
2. Insulators: PTFE
3. Gasket: Silicone Rubber
4. Body & Other Metal: Brass, Nickel Plating
5. Coupling Nut: Brass, Nickel Plating
6. Snap Ring: Phosphor Bronze

RoHS Compliant.

ALL DIMENSIONS ARE IN MILLIMETERS AND [INCHES]

| | | | |
|------------------------------|--|--|--|
| Title | | | |
| N male slider for .141 cable | | | |

KERUI ELECTRONIC CO;LTD

THESE DRAWING & SPEC. ARE THE PROPERTY OF KERUI ELECTRONIC CO;LTD AND SHALL NOT BE REPRODUCED, OR COPIED OR USED AS THE BASIS FOR THE MANUFACTURE OR SALE OF APPARATUS OR DEVICES WITHOUT THEIR EXPRESS WRITTEN CONSENT.

UNLESS OTHERWISE NOTED ALL SURFACES FINISHED TO 64/MAX.
 ALL TOLERANCES ARE:
 DECIMALS FRACTIONS ANGLES
 x ± 1.0 ±1/64 x' ± 1'
 x.x ± 0.5 x'x' ± 0.5
 x.xx ± 0.1

| | | | |
|--------------------|-----------------|--------------------|-------------------|
| Drawn by Teresa | Ckd by Simon | Appd by Richard | Date 5/28/2014 |
| Scale 3:1 | Sheet 1 of 1 | 80 1111 330 01 | |